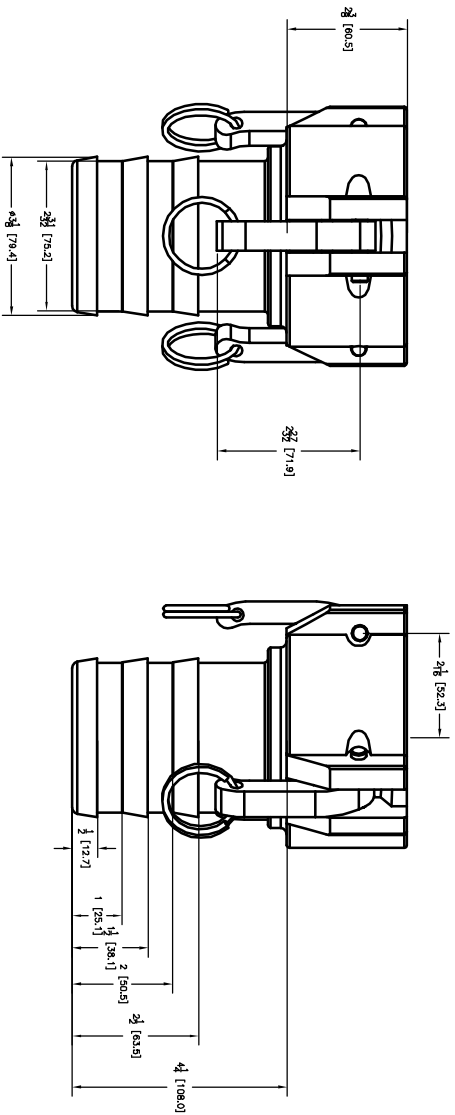
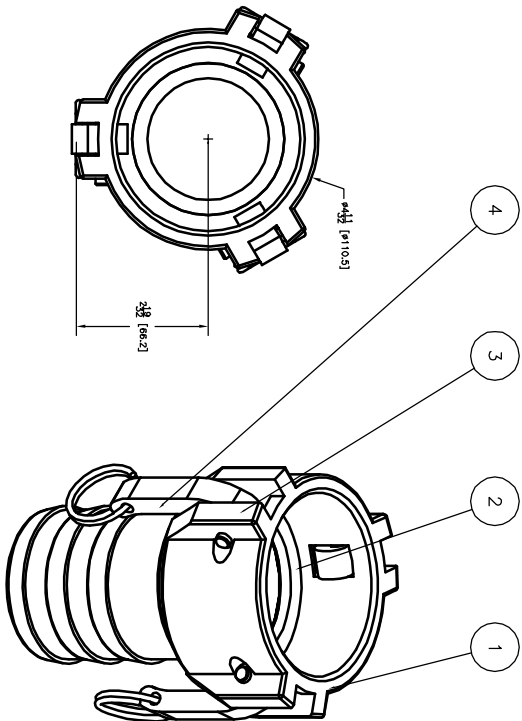


Parts List

ITEM	QTY	NAME	DESCRIPTION
1	1	303CM	3" CAM ARM X HB
2	1	300G	GASKET
3	3	300P	PIN
4	3	300K	CAM ARM ASSY
5	1	150(200)D	DECAL (N/S)



THIS DRAWING IS A COPY OF THE ORIGINAL DRAWING. ANY CHANGES TO THE ORIGINAL DRAWING ARE INDICATED BY A REVISION NUMBER AND MUST BE APPROVED BY THE ORIGINAL DRAWING ENGINEER.



BANNOK
LIQUID HANDLING PRODUCTS
BANJO CORPORATION
150 BROAD DR. • CHARLESTON, W. VA. 25303

PART NO. 303C

TITLE 3" FRODC x Hose Barb, 3 Cam Arm