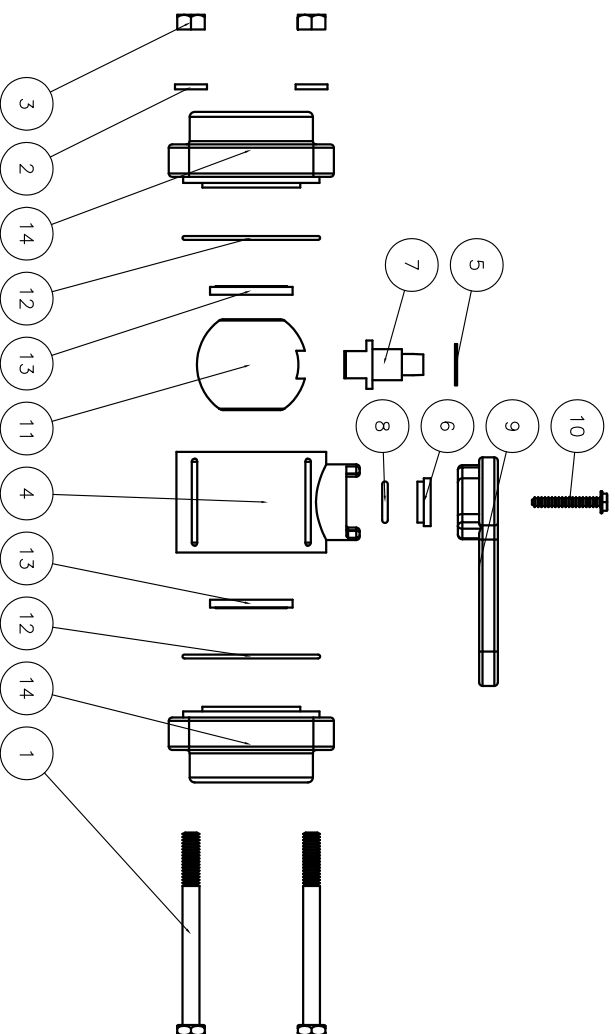
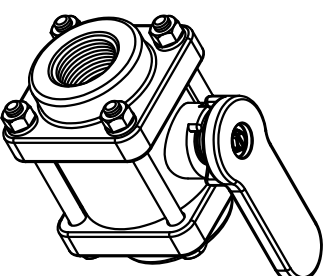
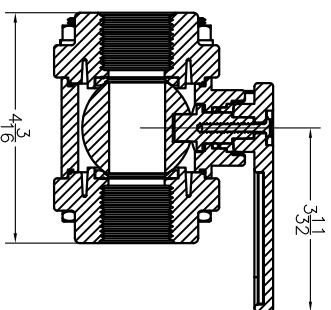
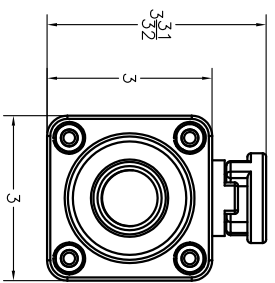


Parts List

ITEM QTY	PART NO.	DESCRIPTION
1 4	V10117	5/16-18 X 3 1/2" HHCS
2 4	V10118	5/16" LOCK WASHER
3 4	V10119	5/16-18 HEX NUT
4 1	V10254	1" FP VALVE BODY
5 1	V10060	THRUST BUSHING
6 1	V10159	STEM BUSHING
7 1	V10151A	STEM
8 1	V10163	STEM O'RING
9 1	V10153A	HANDLE
10 1	V10020A	#10 X 1-1/4" HWHSMS
11 1	V10155	BALL
12 2	V10264	BODY O'RING
13 2	V10258A	BALL SEAT
14 2	V10257	1" FP END PLATE



THIS DRAWING AND ALL INFORMATION CONTAINED THEREON ARE THE EXCLUSIVE PROPERTY OF BANUO CORPORATION. ALL RIGHTS RESERVED. THIS DRAWING AND ALL INFORMATION ARE SUBJECT TO CHANGE WITHOUT NOTICE.



BANUO CORPORATION
150 BANUO DR. • CRAWFORDVILLE, IN 47933

PART NO. V100FP
TITLE 1" FP VALVE