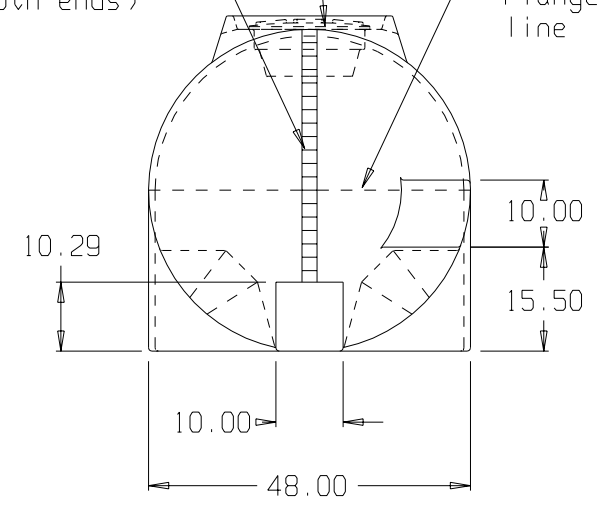


18" PE Threaded manway
with 15" access

Flange
line

Gallon marker
(both ends)

Flange
line



BASE FITTINGS TO BE LEFT INSTALLED AT TIME OF SHIPMENT PER SII PROCEDURE

(all dimensions in inches)

PART # TANK: 144--L/P

1,025 GALLON HORIZONTAL LEG TANK

REF#: 0000

03/03/03