

4

3

2

1

D

D

C

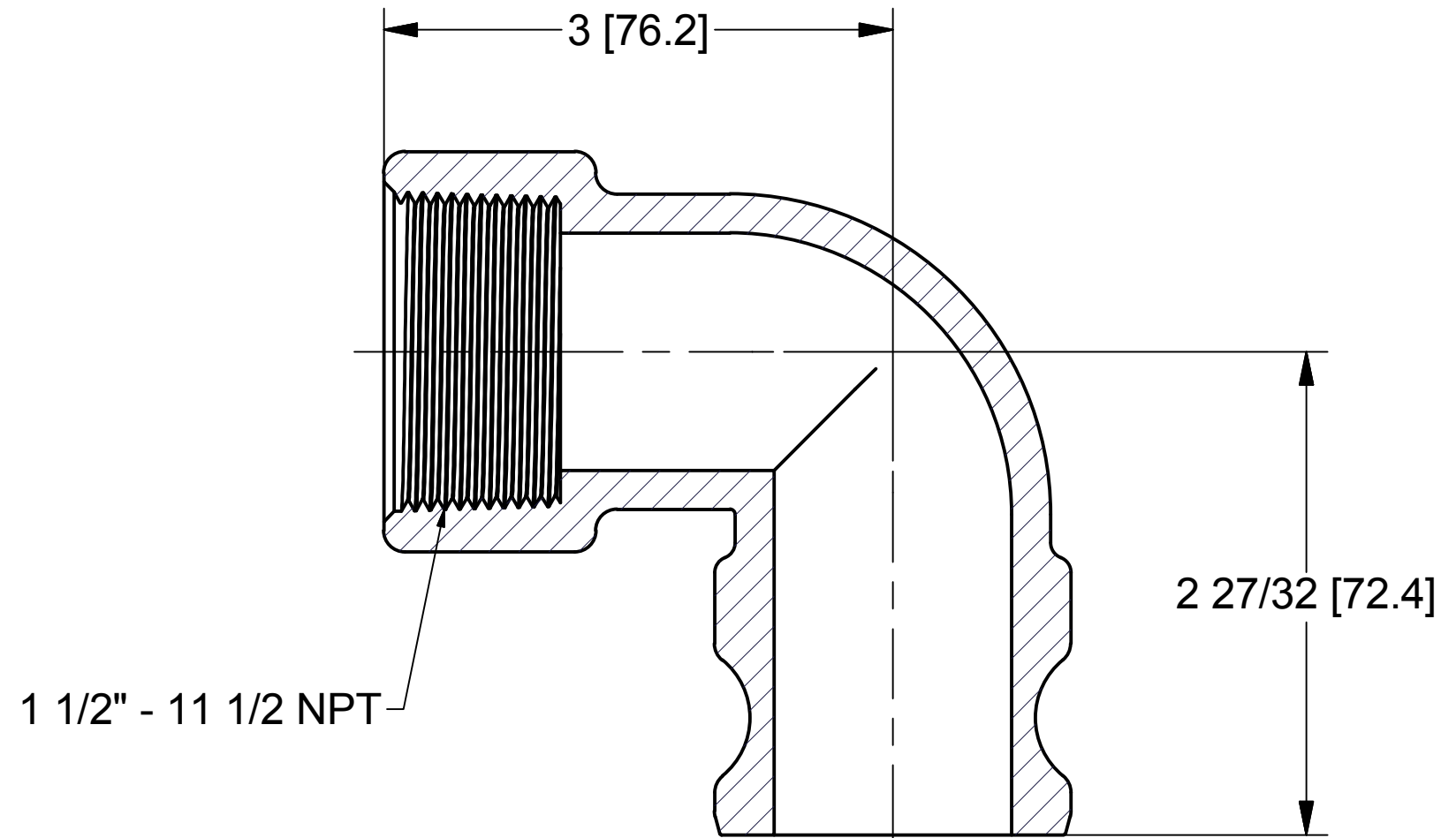
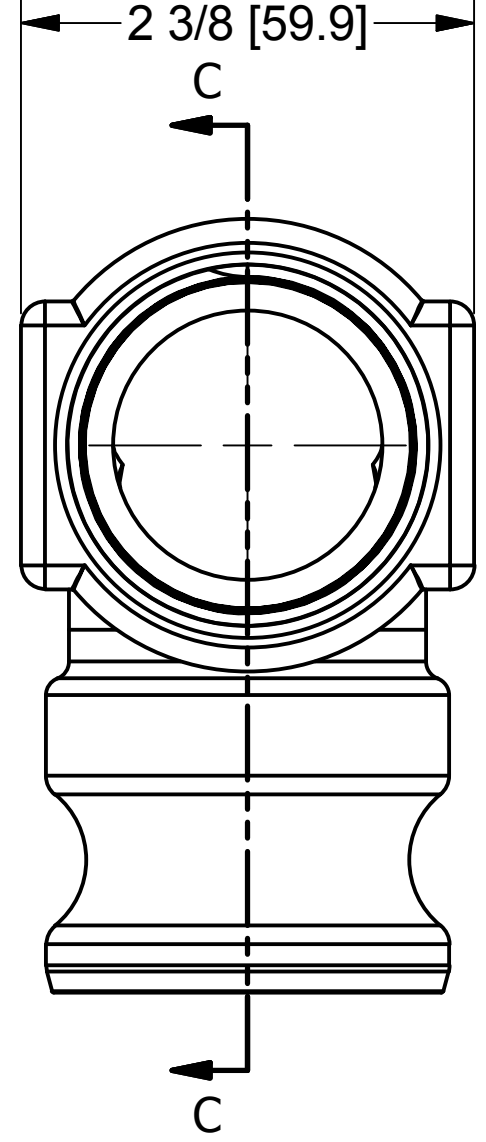
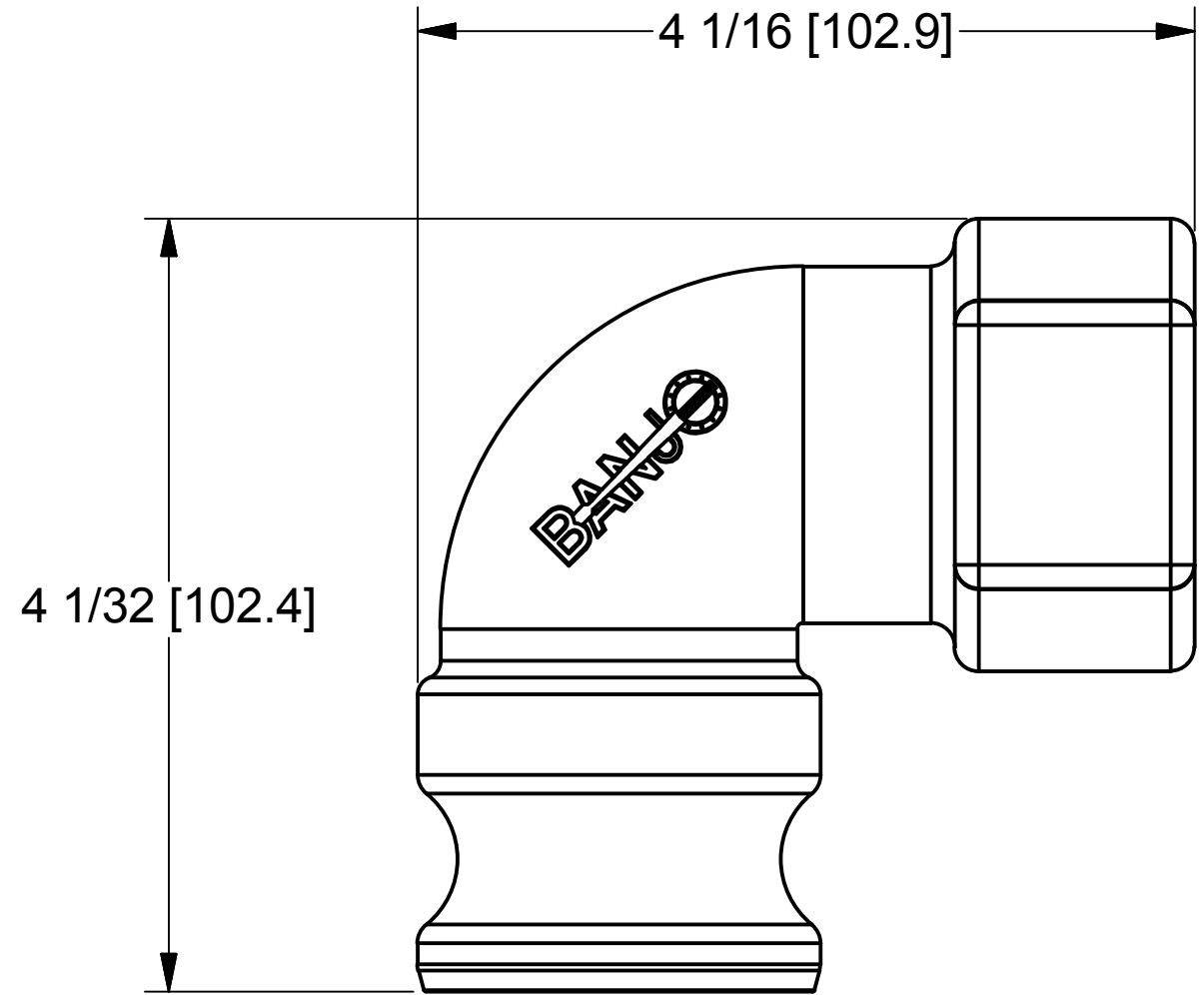
C

B

B

A

A



SECTION C-C
SCALE 1 : 1



THIS DRAWING AND ALL INFORMATION CONTAINED THEREON ARE THE EXCLUSIVE PROPERTY OF BANJO CORPORATION.

UNLESS SPECIFICALLY NOTED, THIS DRAWING AND ITEMS SHOWN ON THIS DRAWING ARE SUBJECT TO CHANGE AT ANY TIME.

BANJO CORPORATION	
150 BANJO DRIVE, CRAWFORDSVILLE, IN 47933	
WEB SITE: WWW.BANJOCORP.COM	
E-MAIL: SALES1@BANJOCORP.COM	
DESCRIPTION	1 1/2" Male Coupler x 90° 1 1/2" Female NPT
PART NUMBER	150A90

4

3

2

1

4