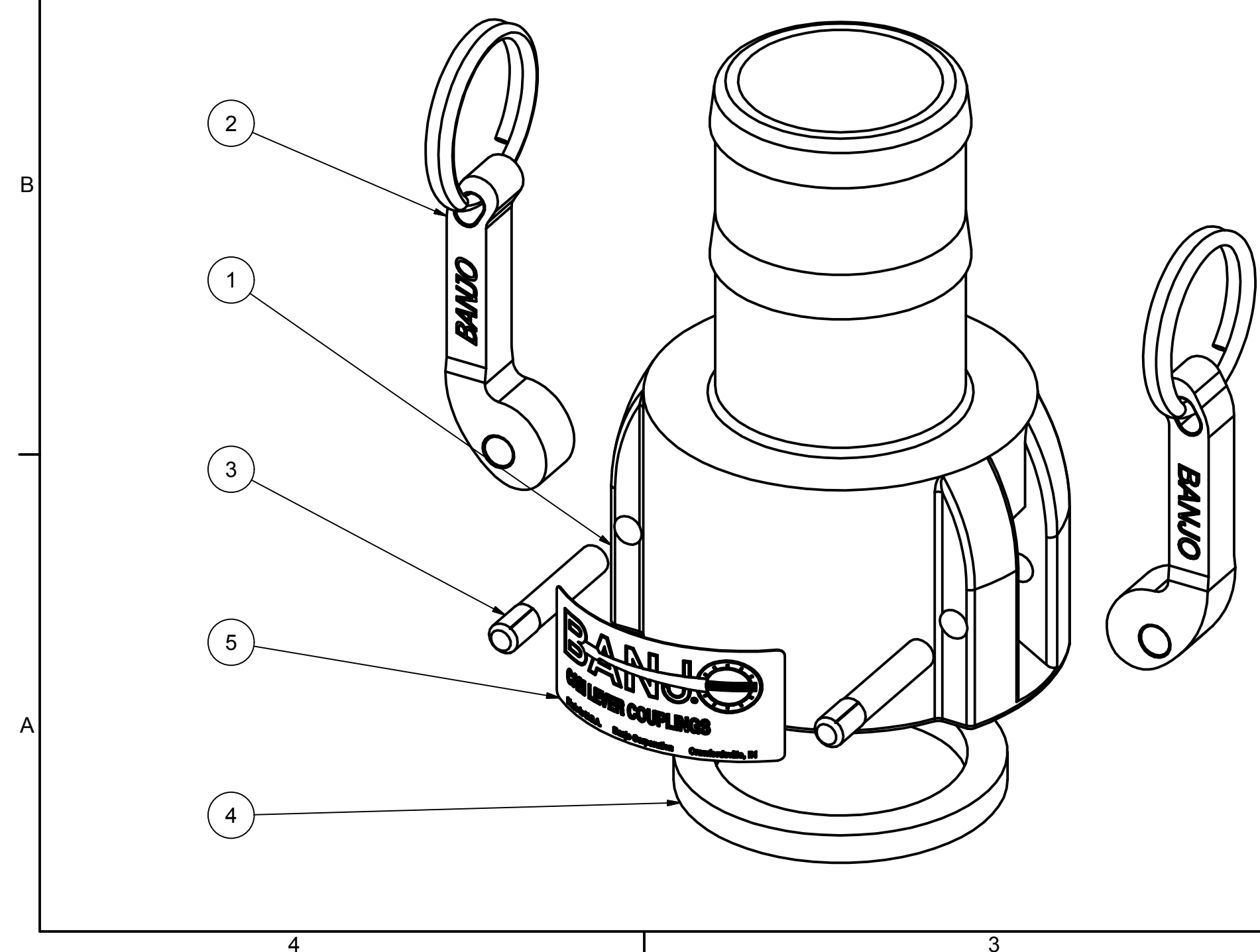
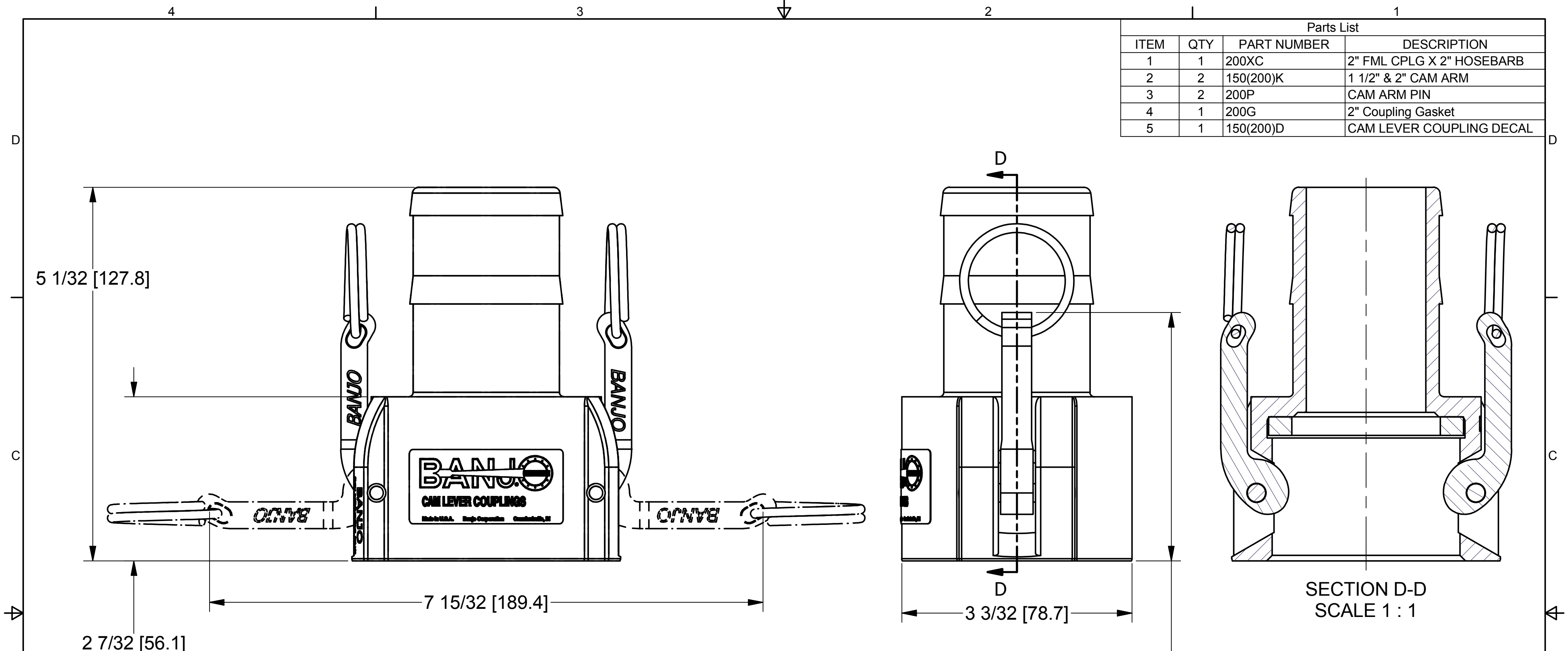


Parts List			
ITEM	QTY	PART NUMBER	DESCRIPTION
1	1	200XC	2" FML CPLG X 2" HOSEBARB
2	2	150(200)K	1 1/2" & 2" CAM ARM
3	2	200P	CAM ARM PIN
4	1	200G	2" Coupling Gasket
5	1	150(200)D	CAM LEVER COUPLING DECAL



THIS DRAWING AND ALL INFORMATION CONTAINED THEREON ARE THE EXCLUSIVE PROPERTY OF BANJO CORPORATION.

UNLESS SPECIFICALLY NOTED, THIS DRAWING AND ITEMS SHOWN ON THIS DRAWING ARE SUBJECT TO CHANGE AT ANY TIME.

BANJO CORPORATION
 150 BANJO DRIVE, CRAWFORDSVILLE, IN 47933
 WEB SITE: WWW.BANJOCORP.COM
 E-MAIL: SALES1@BANJOCORP.COM

DESCRIPTION
2" Female Coupler X 2" HB

PART NUMBER
200C