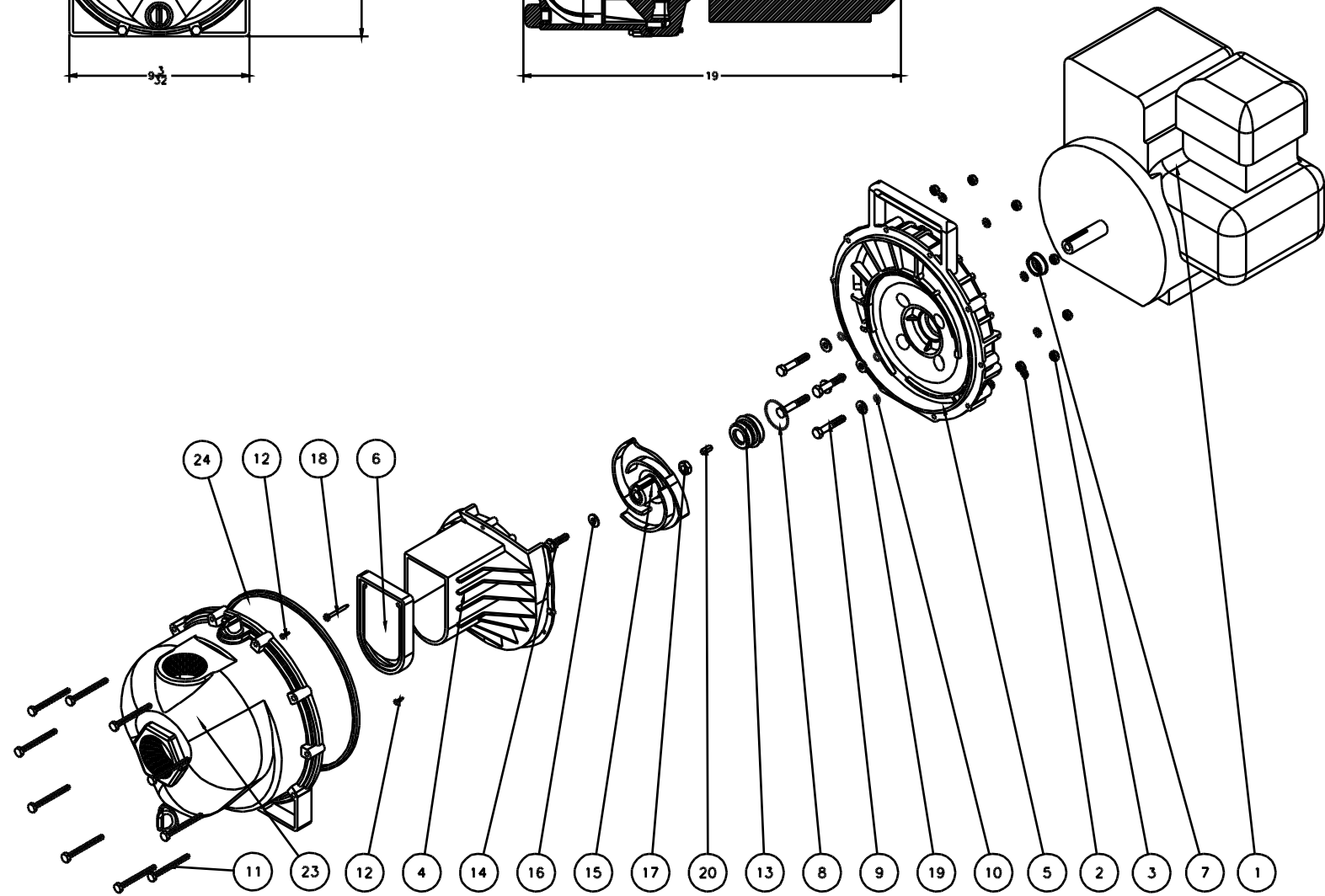



Parts List			
Item	Qty	PART NO.	DESCRIPTION
1	1	E3	3.5HP B&S ENGINE
2	10	W07018	1/4" SS LOCKWASHER
3	10	W07019	1/4" SS HEX NUT
4	1	12702A	POLY PUMP VOLUTE
5	1	12703A	POLY PUMP REAR BRKT
6	1	12705	CHECK VALVE
7	1	12706	SLINGER - 3HP ENGINE
8	1	12710	O'RING SEAL ASSEMBLY
9	4	12715A	5/16-24 X 1 3/4 HHCS
10	4	12717	SCREW HEAD O'RING
11	10	12720	BODY SCREW
12	2	12725	#6 X 1/2" PPH SMS
13	1	12753	EPDM SEAL ASSEMBLY
14	1	12765A	5/16-24 X 1 1/8 HFS
15	1	12771A	POLY 3 VANE IMPELLER
16	1	12774VA	IMPELLER BOLT GASKET
17	1	12775A	7/16-14 HEX NUT 5/8"
18	1	12900	#10 X 1 1/2 PPH SMS
19	4	12901	5/16" FLAT WASHER
20	1	12902A	3/16X 3/16 X 5/8 KEY
21	1	12754	O'RING SEGMENT (N/S)
22	1	12901	PUMP DECAL (N/S)
23	1	12712A	2" PUMP BODY ASSY.
24	1	12719A	PUMP BODY O'RING





**BANJO**  
LIQUID HANDLING PRODUCTS

**BANJO CORPORATION**  
150 BANJO DR. • CRAWFORDSVILLE, IN 47933

PART NO.	200P-3
TITLE	2" POLY PUMP W/ 3.5HP B&S ENGINE

THIS DRAWING AND ALL INFORMATION CONTAINED THEREON ARE THE EXCLUSIVE PROPERTY OF BANJO CORPORATION. UNLESS SPECIFICALLY NOTED, THIS DRAWING AND ITEMS SHOWN ON THIS DRAWING ARE SUBJECT TO CHANGE AT ANY TIME.