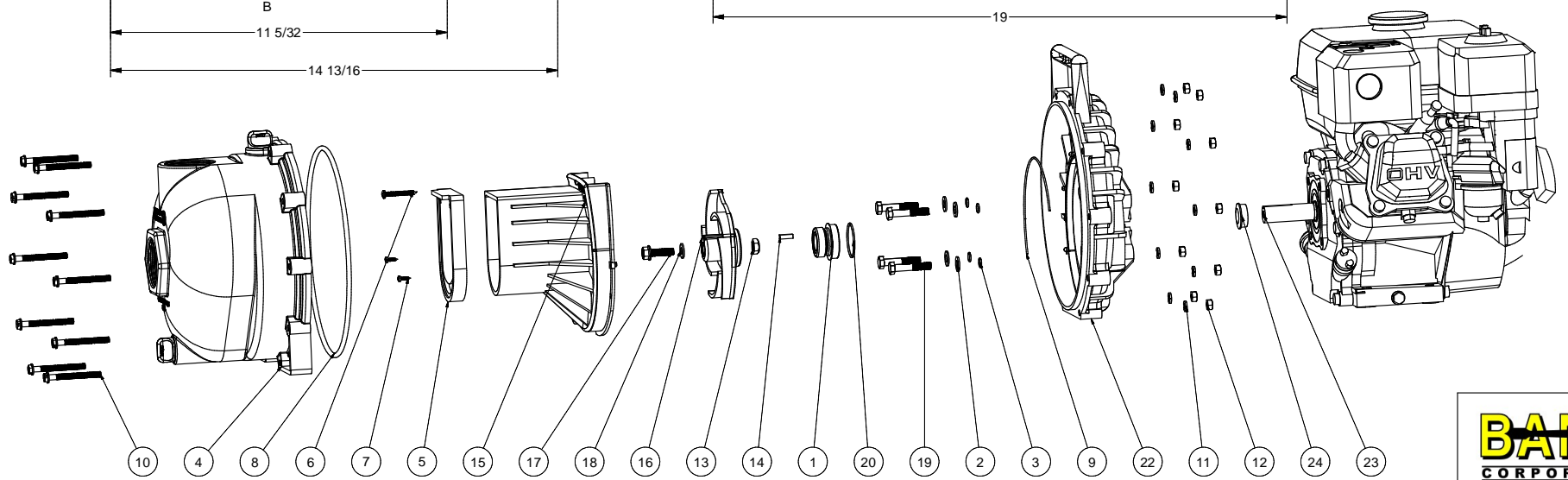


Parts List			
ITEM	QTY	PART NUMBER	DESCRIPTION
1	1	12733	MECH. SEAL ASSY.
2	4	12901	5/16" FLAT WASHER
3	4	12717	#11 O'RING
4	1	12712A	2" PUMP BODY ASSY
5	1	12705	CHECKVALVE
6	1	12900	#10 X 1 1/2" PPH SMS
7	2	12725	#6 X 1/2" PPH SMS
8	1	12775A	#375 O'RING
9	1	12754	O'RING SEGMENT
10	10	12720	1/4-20 X 2 1/2" SL IND HWHS
11	10	V07018	1/4" LOCKWASHER
12	10	V07019	1/4-20 HEX NUT
13	1	12775A	7/16-14 HEX NUT
14	1	12902A	3/16" SQ. X 5/8" KEY
15	1	12702A	2" POLY PUMP VOLUTE
16	1	12772	IMPELLER
17	1	12765A	5/16-24 X 1 1/8" HFS
18	1	12774VA	IMPELLER BOLT GASKET
19	4	12715A	5/16-24 X 1 3/4" HHCS
20	1	12710	#029 O'RING
21	1	12910	DECAL (N/S)
22	1	12703A	POLY PUMP REAR BRACKET
23	1	E5H	5 HP HONDA
24	1	12716	PUMP SLINGER



THIS DRAWING AND ALL INFORMATION CONTAINED THEREON ARE THE EXCLUSIVE PROPERTY OF BANJO CORPORATION.

UNLESS SPECIFICALLY NOTED, THIS DRAWING AND ITEMS SHOWN ON THIS DRAWING ARE SUBJECT TO CHANGE AT ANY TIME.

**BANJO CORPORATION**  
 150 BANJO DRIVE, CRAWFORDSVILLE, IN 47933  
 WEB SITE: WWW.BANJOCORP.COM  
 E-MAIL: SALES1@BANJOCORP.COM

DESCRIPTION  
**2" POLY PUMP W/ 5.5 HP HONDA**

PART NUMBER  
**200PH-5**