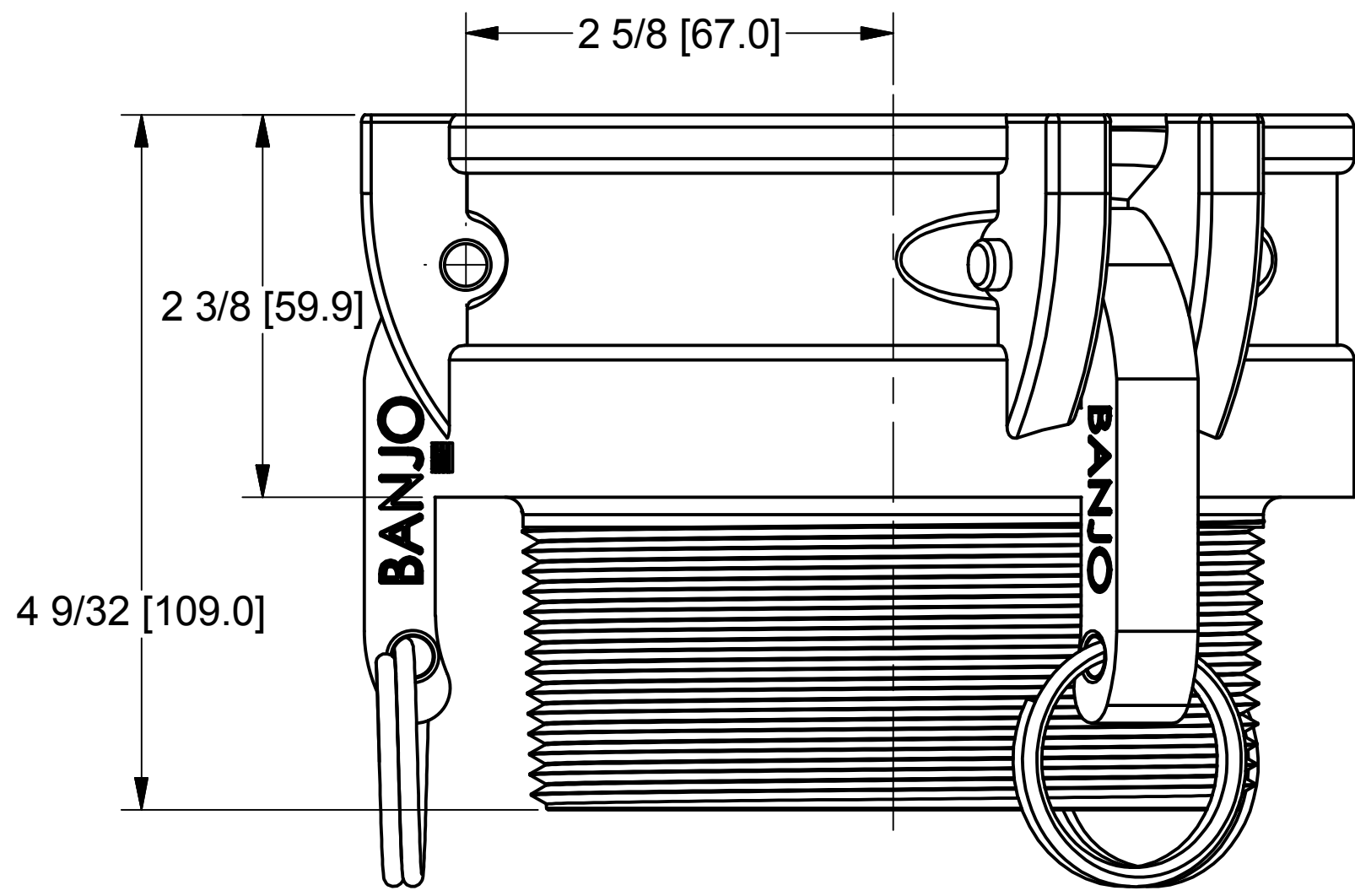
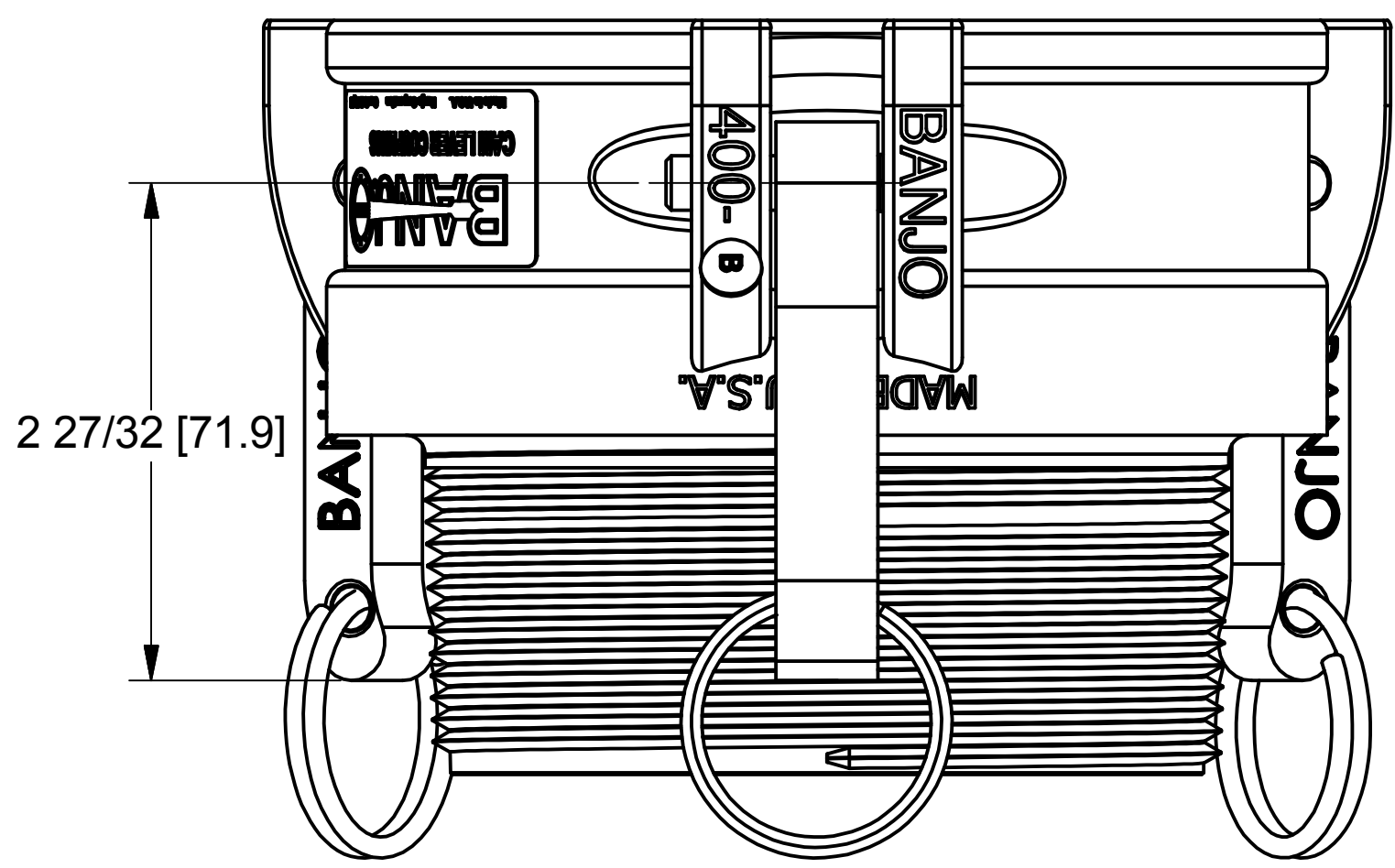
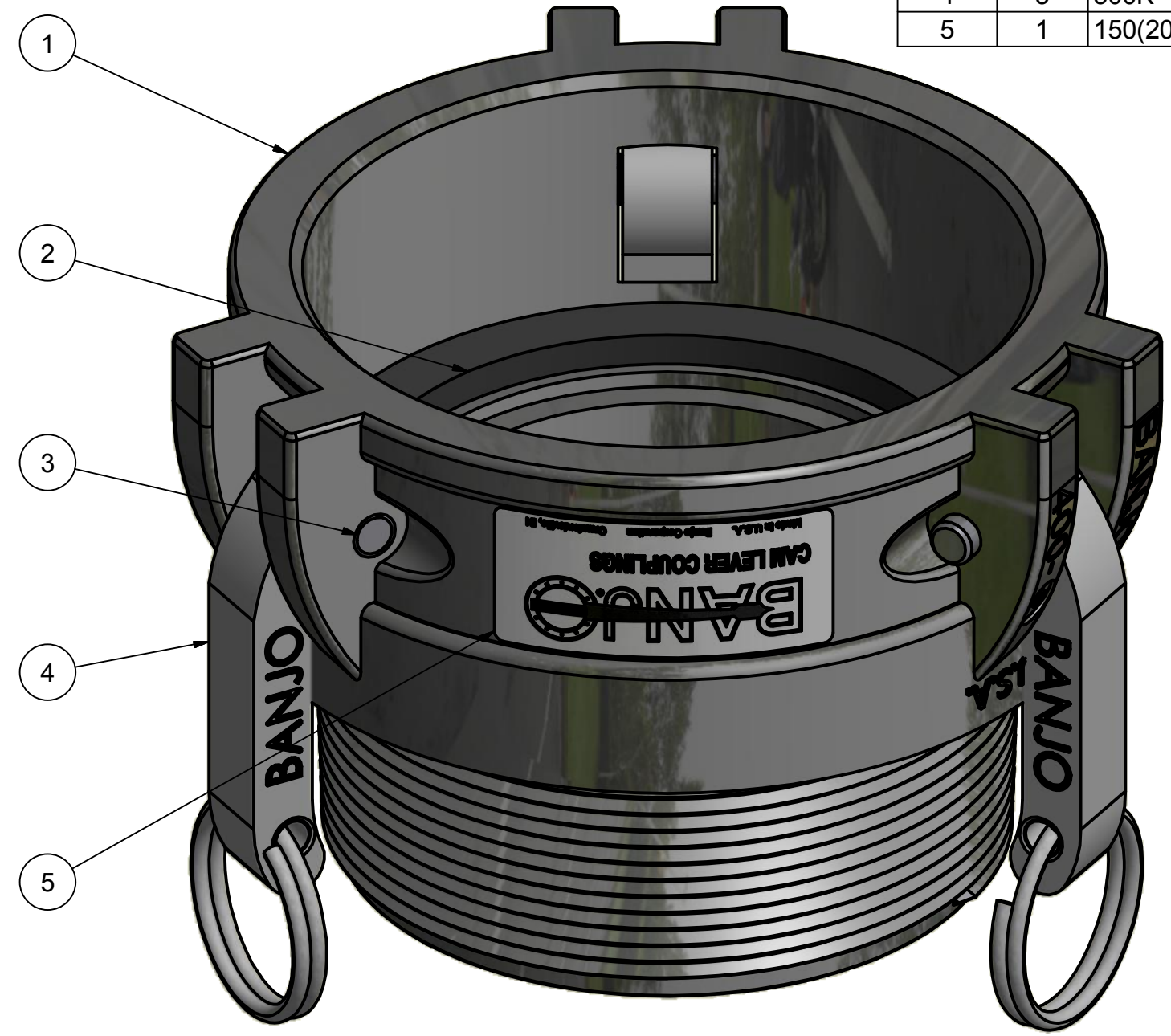
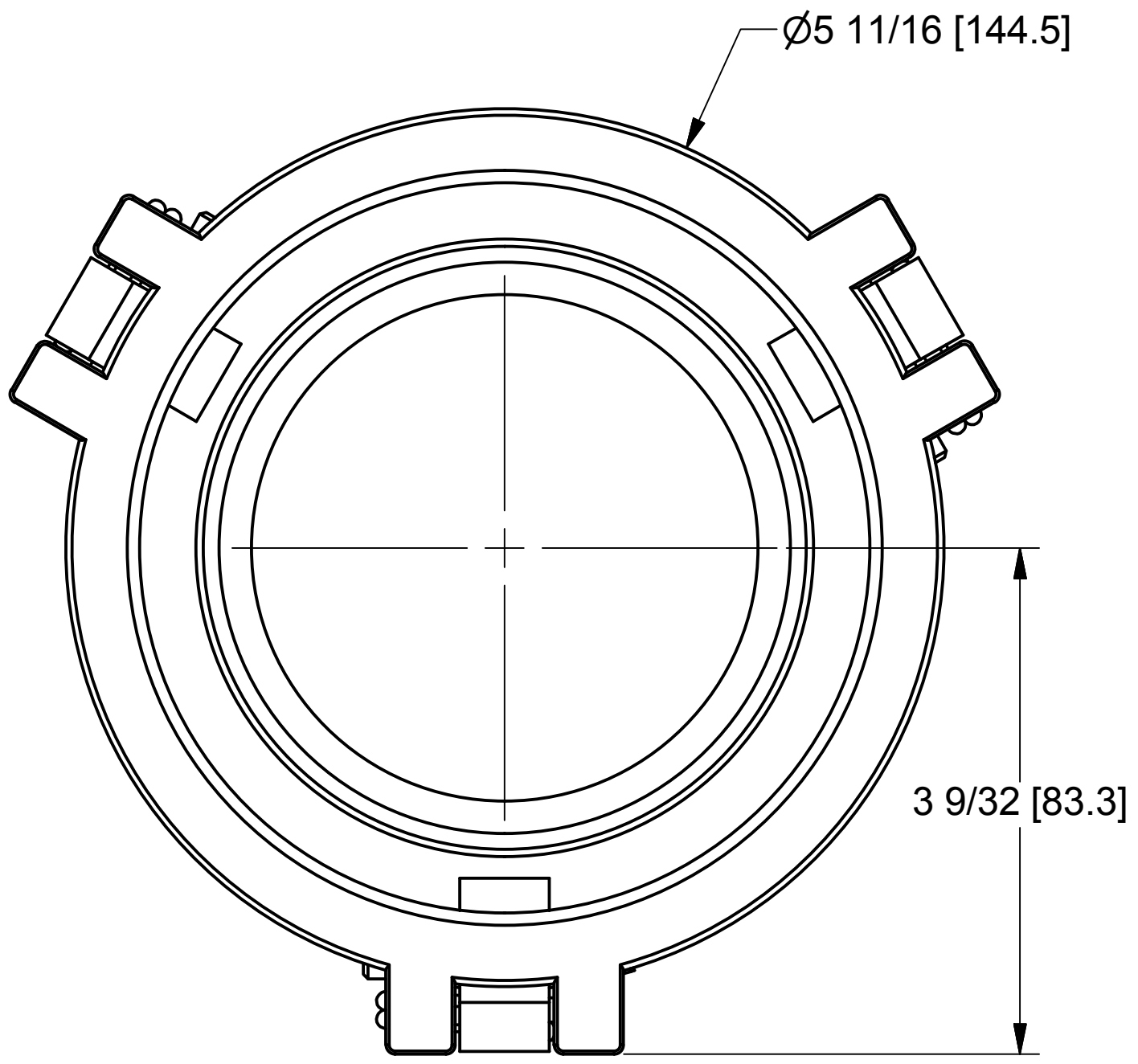


Parts List			
ITEM	QTY	PART NUMBER	DESCRIPTION
1	1	400XMB	4" Female Coupler X 4" Male NPT, Drilled
2	1	400G	4" Coupling Gasket
3	3	300P	CAM ARM PIN
4	3	300K	CAM ARM
5	1	150(200)D	CAM LEVER COUPLING DECAL



THIS DRAWING AND ALL INFORMATION CONTAINED THEREON ARE THE EXCLUSIVE PROPERTY OF BANJO CORPORATION.

UNLESS SPECIFICALLY NOTED, THIS DRAWING AND ITEMS SHOWN ON THIS DRAWING ARE SUBJECT TO CHANGE AT ANY TIME.

BANJO CORPORATION

150 BANJO DRIVE, CRAWFORDSVILLE, IN 47933
 WEB SITE: WWW.BANJOCORP.COM
 E-MAIL: BANJOSALES@IDEXCORP.COM

DESCRIPTION
 4" Female Coupler X 4" Male NPT

PART NUMBER
 400B