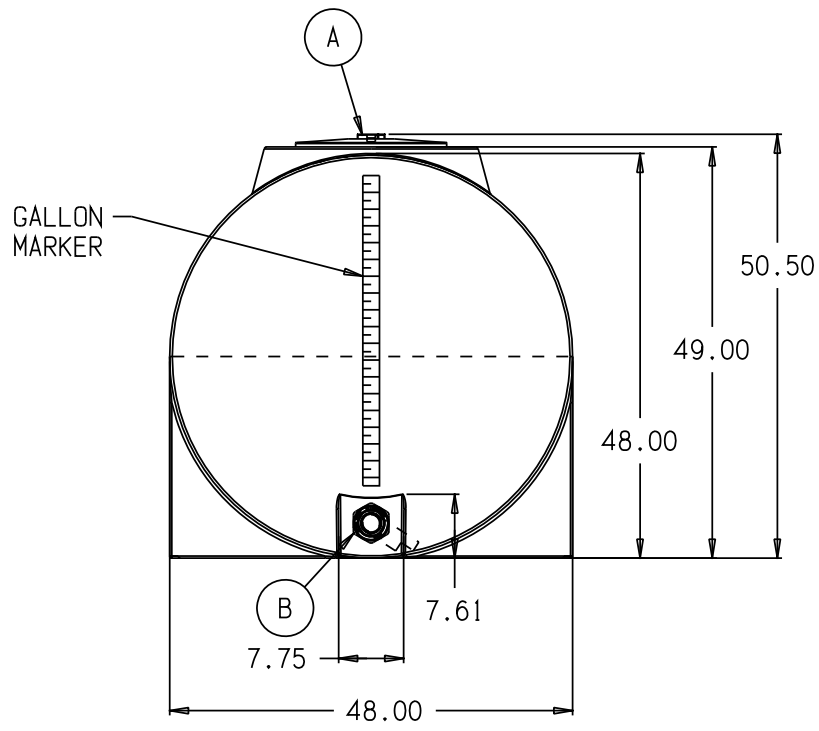
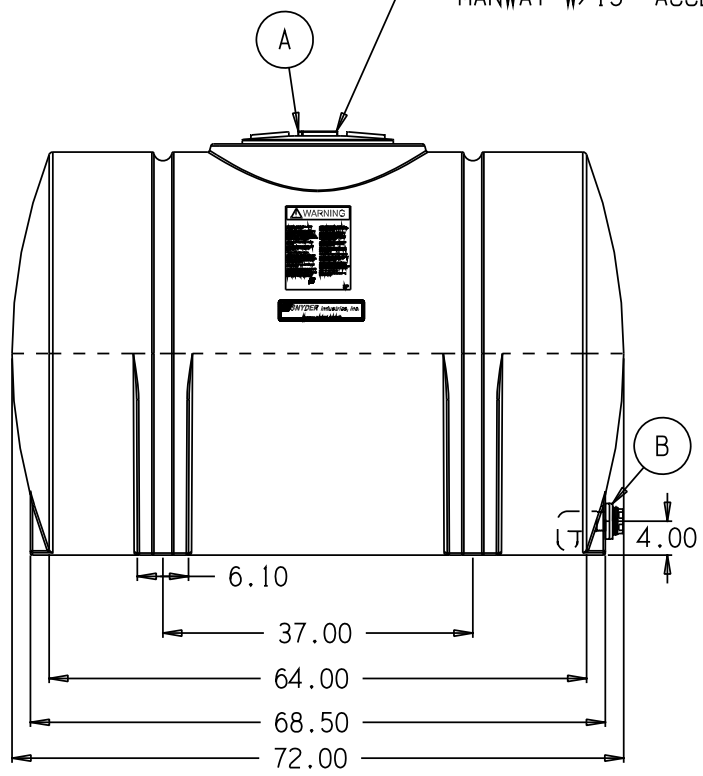


A

18" PE THREADED  
MANWAY W/15" ACCESS



- A. 18" PE THREADED-VENTED MANWAY W/15" ACCESS [P/N 34700087]
- B. 2" PP THREADED BH SHORT SIPHON TUBE ASSY W/EPDM GASKET [P/N 34700840]

\* BASE FITTINGS TO BE LEFT INSTALLED AT TIME OF SHIPMENT PER SII PROCEDURE  
 ALL DIMENSIONS, DESIGNS, AND INFORMATION ON THIS PRINT MUST BE CONSIDERED PROPRIETARY TO SNYDER INDUSTRIES, INC. (all dimensions in inches)  
 AND MAY NOT BE USED, COPIED, OR DISTRIBUTED WITHOUT WRITTEN PERMISSION OF AN OFFICER (OR HIS AGENT) OF THE FIRM.

PART # TANK: 1400100C--

# 500 GALLON HORIZONTAL LEG TANK